

Product datasheet:

## Reduction fittings nickel-plated brass increased safety Ex e II

**Outer thread metric or Pg**

**Approval type: Reduktion MS EX**

- Outer thread Pg
- Inner thread metric
- with O-ring
- 1 = Metric coarse-pitch thread (with VDE Testreport)
- 2 = Certificate SEV 15 ATEX 0152X / IECEx SEV 15.0019X
- The norm interdicts to screw several reduction/enlarging fittings into each other!



**Article no.:**  **EX3500.16.12**

E-No: 000000000

EAN: 7611614175935

Delivery: 25

### Dimensions / Form

Product length: 6 mm

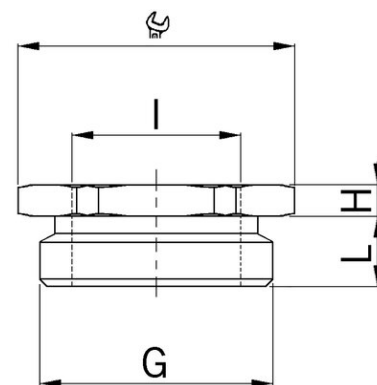
Spanner size: 24 mm

External thread: Pg 16

Internal thread: M12x1.5

Dimension H: 3.0 mm

Dimension L: 6 mm



### Connections / Entries

clamp technology: Compression technology

### Features

Product type: reduction

### Approvals / Certifications

Protection class: IP66

Explosion-proof design: Yes

EX zone: Gas 1 and 2 - Dust 21 and 22

Gas: II 2G Ex eb IIC Gb

Dust: II 2D Ex tb IIIC Db

Test standard: IEC EN 60079-7

IECEx certification: IECEx SEV 15.0018

Further certifications: SEV 15 ATEX 0151

Connectivity certification: SEV 15 ATEX 0151

### Storage / Installation / Operation

Minimum operating temperature: -60 °C



## Product datasheet:

Maximum operating temperature: \_\_\_\_\_ 100 °C