

Product datasheet:

## Locking plugs nickel-plated brass flameproof enclosure Ex d IIC

### Entry thread metric

· with O-ring



<b>Article no.:</b>	➔ 8710.20
E-No:	126239508
EAN:	7611614140216
Delivery:	10

### Dimensions / Form

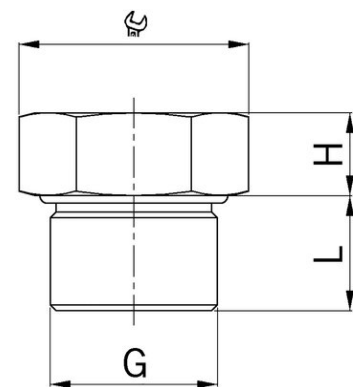
Thread:	M20x1.5
Spanner size:	24 mm
Thread length L:	15 mm
Dimension H:	8 mm

### Connections / Entries

clamp technology:	Compression technology
-------------------	------------------------

### Features

Thread type:	metric
Product type:	closing screw



### Approvals / Certifications

Protection class:	IP68
Protection class with condition:	IP 68 (30 bar)
Explosion-proof design:	Yes
EX zone:	Gas 1 and 2 - Dust 21 and 22
Gas:	II 2G Ex db eb IIC Gb
Dust:	Ex Series 18 D
Test standard:	IEC EN 60079-31
IECEx certification:	IECEx PTB 12.0056
Further certifications:	PTB 00 ATEX 1059
Connectivity certification:	PTB 00 ATEX 1059



### Storage / Installation / Operation

Minimum operating temperature:	-40 °C
Maximum operating temperature:	100 °C