



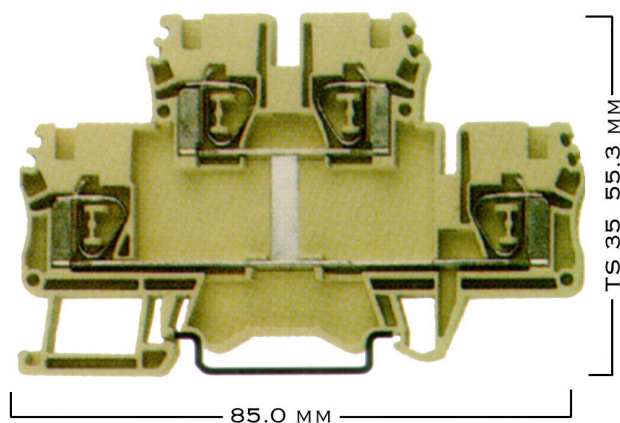
# AMERICAN ELECTRICAL, INC.



## INDUSTRIAL ELECTRICAL ACCESSORIES

425 SOUTHLAKE BLVD. • SUITE 9-B • RICHMOND, VA 23236 • (804) 379-2899 • FAX: (804) 379-8935

### DOUBLE DECKER FEED THRU ALL COMMON TENSION CLAMP TERMINAL BLOCKS

#### WY 2.5 IKK



DESCRIPTION	AEI PART NO.	UL VOLTS V	AMPS A	WIRE SIZE AWG	WIDTH MM	
WY 2.5 IKK DOUBLE DECKER FEED THRU ALL COMMON TENSION CLAMP TERMINAL BLOCK	322120	600	23	26 ... 12	5	
END BRACKET	 495040				8	
END PLATE	 446230				1.2	
	PART NO.	POLES				
CROSS-CONNECTOR	476122 476123 476124 476129	2 3 4 10				
			