



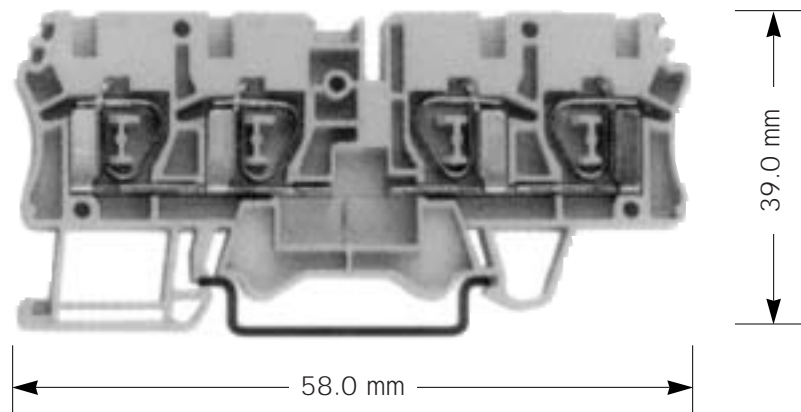
American Electrical, Inc.

Industrial Electrical Accessories

425 Southlake Blvd. • Suite 9-B • Richmond, VA 23236 • (804) 379-2899 • Fax: (804) 379-8935

Feedthru Four Pole / Split Bar Tension Clamp Terminal Blocks

WY 2.5 Cx2



Description	AEI Part No.	Vol ts V	Amps A	Wire Size AWG	Thickness mm
WY 2.5 C Feedthru four Pole Tension Clamp Terminal Block	323200	600	23	26 ... 12	5
WY 2.5 C End Plate	446220				1.2

