



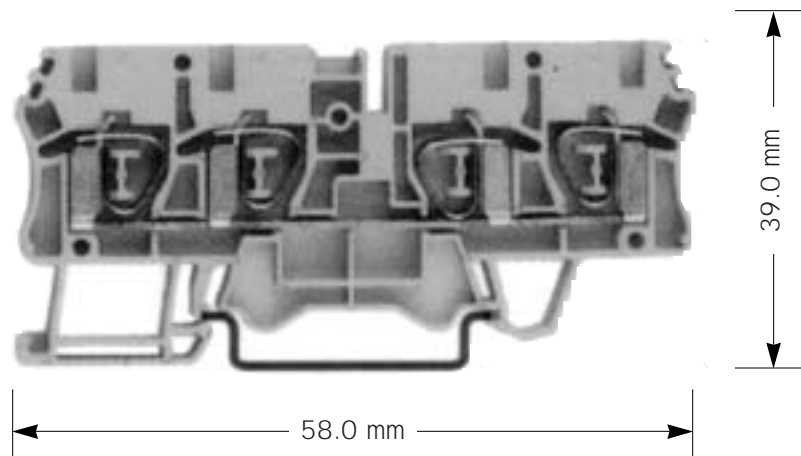
# American Electrical, Inc.

Industrial Electrical Accessories

425 Southlake Blvd. • Suite 9-B • Richmond, VA 23236 • (804) 379-2899 • Fax: (804) 379-8935

## Feedthru Four Pole Tension Clamp Terminal Blocks

WY 2.5 C



| Description  | AEI Part No. | Vol ts V | Amps A | Wire Size AWG | Thickness mm |
|--|--------------|----------|--------|---------------|--------------|
| WY 2.5 C Feedthru four Pole Tension Clamp Terminal Block | 323100       | 600      | 23     | 26 ... 12     | 5            |
| WY 2.5 C End Plate                                       | 446220       |          |        |               | 1.2          |

