



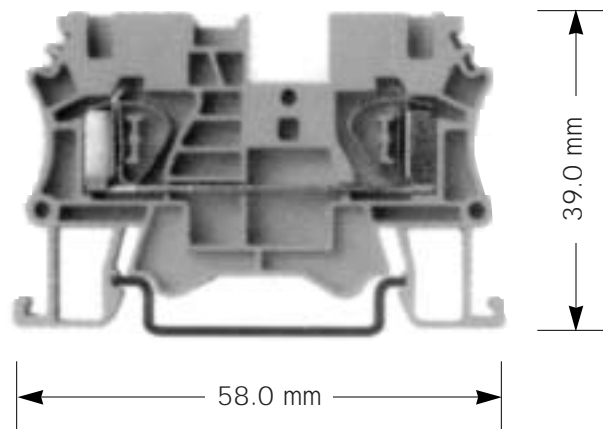
American Electrical, Inc.

Industrial Electrical Accessories

425 Southlake Blvd. • Suite 9-B • Richmond, VA 23236 • (804) 379-2899 • Fax: (804) 379-8935

Feedthru Tension Clamp Terminal Blocks

WY 2.5



| Description | AEI Part No. | Vol ts V | Amps A | Wire Size AWG | Thickness mm |
|----------------------------------------------|--------------|----------|--------|---------------|--------------|
| WY 2.5 Feedthru Tension Clamp Terminal Block | 306120 | 600 | 23 | 26 ... 12 | 5.10 |
| WY 2.5 End Plate | 446120 | | | | 1.2 |
| Accessories: | | | | | |
| 2 pole jumper | 476122 | | | | |
| 3 pole jumper | 476123 | | | | |
| 4 pole jumper | 476124 | | | | |
| 10 pole jumper | 476129 | | | | |

