



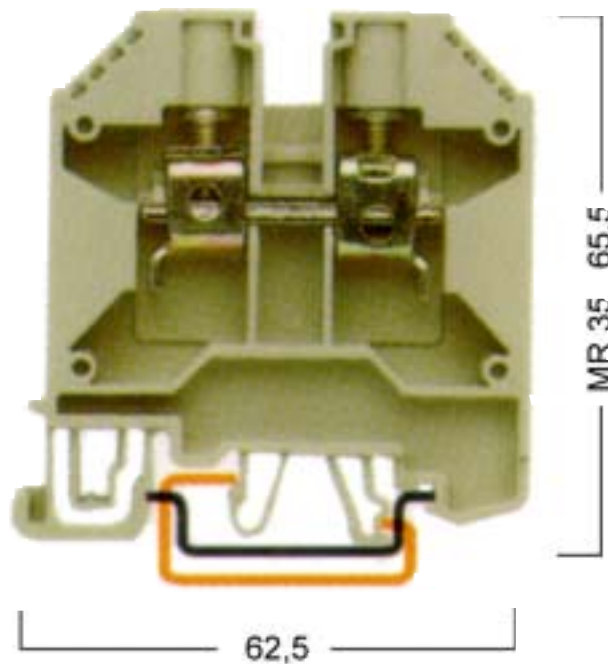
American Electrical, Inc.




Industrial Electrical Accessories

425 Southlake Blvd. • Suite 9-B • Richmond, VA 23236 • (804) 379-2899 • Fax: (804) 379-8935

DIN Rail Mounted Terminal Blocks

PEK 16



Description	AEI Part No.	Vol ts V	Amps A	Wire Size AWG	Width mm
Block	305160	600	65	14 ... 6	12
End Bracket 	495030				8.0
End Plate 	445150				1.5
Cross Connection 	Part No.	Quantity			
	475162	25			
	475163	20			
	475164	15			
	475169	5			

