



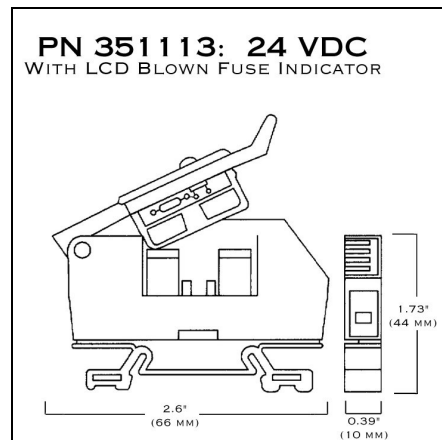
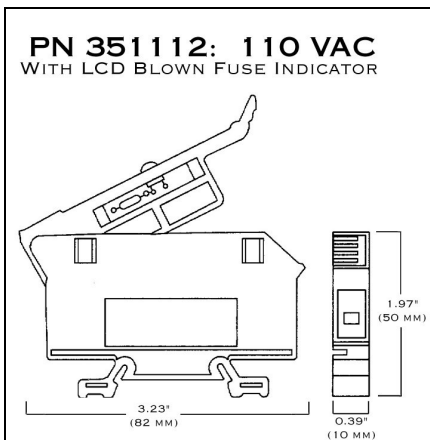
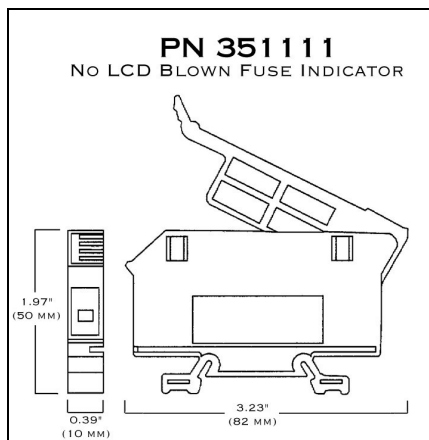
# AMERICAN ELECTRICAL, INC.

## INDUSTRIAL ELECTRICAL ACCESSORIES

425 SOUTHLAKE BLVD. • SUITE 9-B • RICHMOND, VA 23236 • (804) 379-2899 • FAX: (804) 379-8935

## DIN RAIL MOUNTED FUSE BLOCKS

### ASK 2 S1



DESCRIPTION	AEI PART NO.	VOLTS	WIRE STRIP LENGTH	FUSE SIZE	INDICATOR TYPE
FUSE BLOCK	351111	—	0.47" (12 MM)	1-1/4" X 1/4"	NON-INDICATING
	351112	110 VAC	0.47" (12 MM)	1-1/4" X 1/4"	LCD BLOWN FUSE INDICATOR
	351113	24 VDC	0.47" (12 MM)	1-1/4" X 1/4"	LCD BLOWN FUSE INDICATOR
APPROVALS	VOLTS V	AMPS A	WIRE SIZE AWG		
UL	600	30	20 ... 6		
CSA	600	30	18 ... 6		
VDE	750	8	—		

