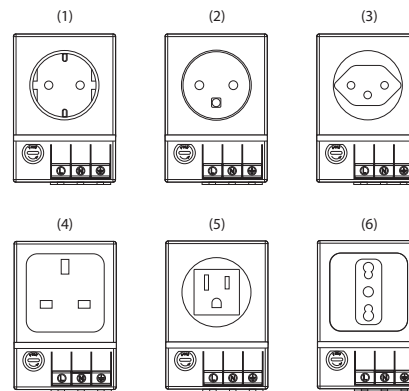
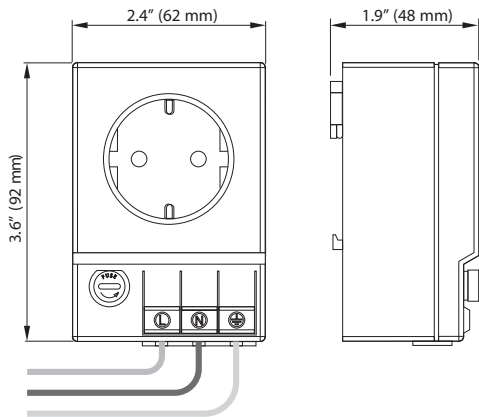



**Quick connections**
**Available with or without fuse**
**DIN rail mountable**

The DIN rail mounted electrical receptacle can be quickly fitted and connected in enclosures allowing the use of auxiliary products such as hand lamps and power tools. The unit is available with and without fuse, and in many world outlet standards.


**Technical Data**

<b>Connection</b>	3 cage clamps for solid and stranded wire AWG 20-14 (0.5-2.5mm <sup>2</sup> )
<b>Housing</b>	plastic, UL94 V-0, light grey
<b>Mounting</b>	clip for 35mm DIN rail, EN 60 715
<b>Mounting position</b>	vertical
<b>Operating / Storage temperature</b>	-49 to +158°F (-45 to 70°C)
<b>Dimensions</b>	3.6 x 2.4 x 1.9" (92 x 62 x 48mm)
<b>Weight</b>	approx. 7.1 oz. (200g)
<b>Protection class</b>	I (grounded)
<b>Protection type</b>	IP20



Part No.	Operating Voltage max.	Socket	Model	Nominal Current	Approvals
DER63G	250VAC	Germany/Russia (1)	with fuse*	6.3A	-
DER16G	250VAC	Germany/Russia (1)	without fuse	16.0A	-
DER63F	250VAC	France/Poland (2)	with fuse*	6.3A	-
DER16F	250VAC	France/Poland (2)	without fuse	16.0A	-
DER63S	250VAC	Switzerland (3)	with fuse*	6.3A	-
DER10S	250VAC	Switzerland (3)	without fuse	10.0A	-
DER16U	250VAC	UK/Ireland (4)	with fuse*	6.3A	-
DER13U	250VAC	UK/Ireland (4)	without fuse	13.0A	-
DER63	125VAC	USA/Canada (5)	with fuse*	6.3A	UL File No. E222026
DER15	125VAC	USA/Canada (5)	without fuse	15.0A	UL File No. E222026
DER63I	250VAC	Italy (6)	with fuse*	6.3A	-
DER16I	250VAC	Italy (6)	without fuse	16.0A	-

\* fuse Ø 5 x 20 mm

Specifications are subject to change without notice. Suitability of this product for its intended use and any associated risks must be determined by the end customer/ buyer in its final application.