



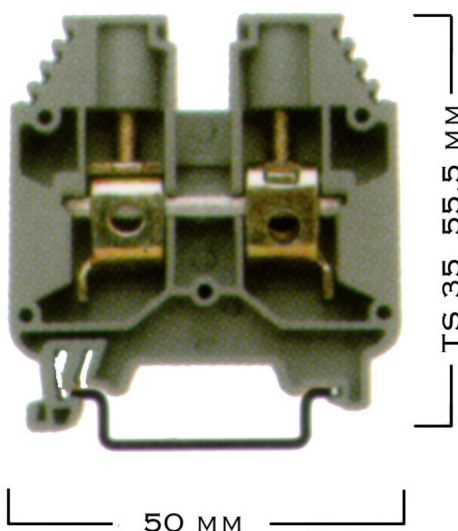
AMERICAN ELECTRICAL, INC.




INDUSTRIAL ELECTRICAL ACCESSORIES

425 SOUTHLAKE BLVD. • SUITE 9-B • RICHMOND, VA 23236 • (804) 379-2899 • FAX: (804) 379-8935

DIN RAIL MOUNTED TERMINAL BLOCKS

AVK 16



| DESCRIPTION | AEI PART NO. | UL VOLTS V | AMPS A | WIRE SIZE AWG | WIDTH MM |
|---|-----------------|---------------|-----------|------------------|-------------|
| BLOCK | 304160 | 600 | 85 | 12 ... 4 | 12 |
| END BRACKET  | 495049 | | | | 8.0 |
| END PLATE  | 444160 | | | | 1.5 |
| | PART NO. | POLES | | | |
| CROSS CONNECTION  | 474162 | 2 | | | |
| | 474163 | 3 | | | |
| | 474164 | 4 | | | |
| | 474169 | 10 | | | |

